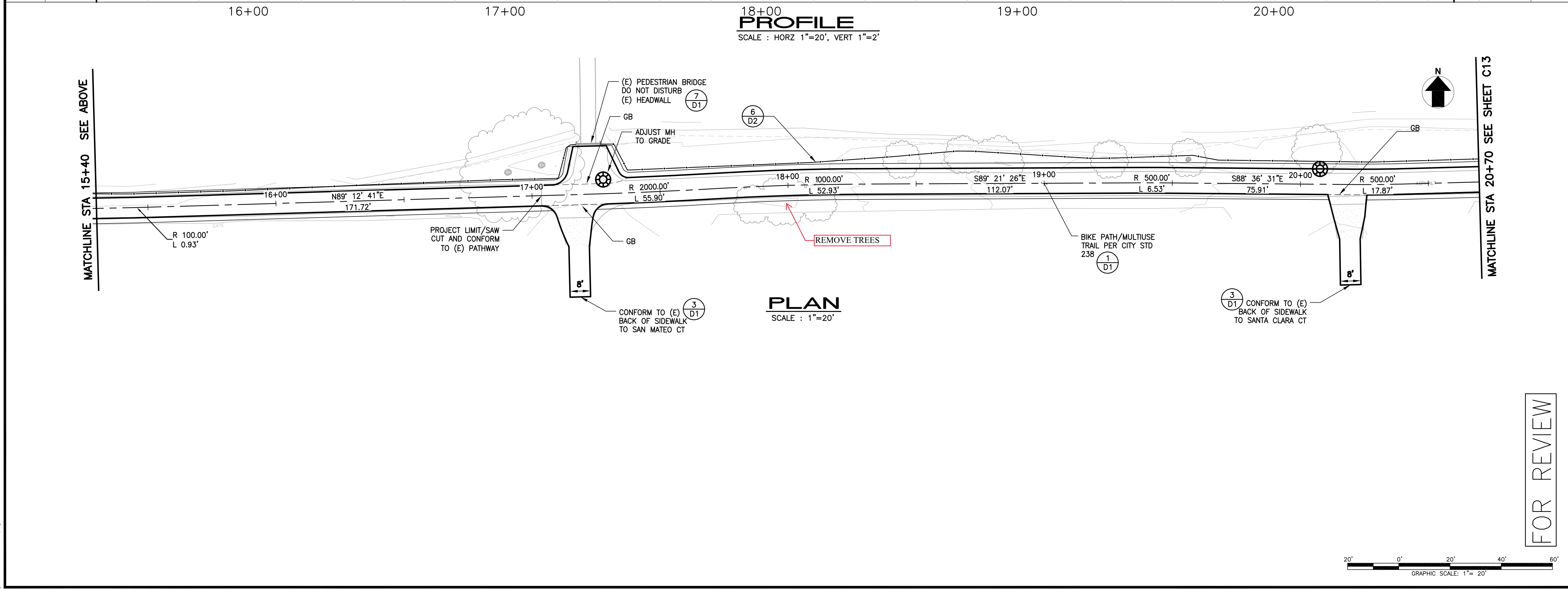
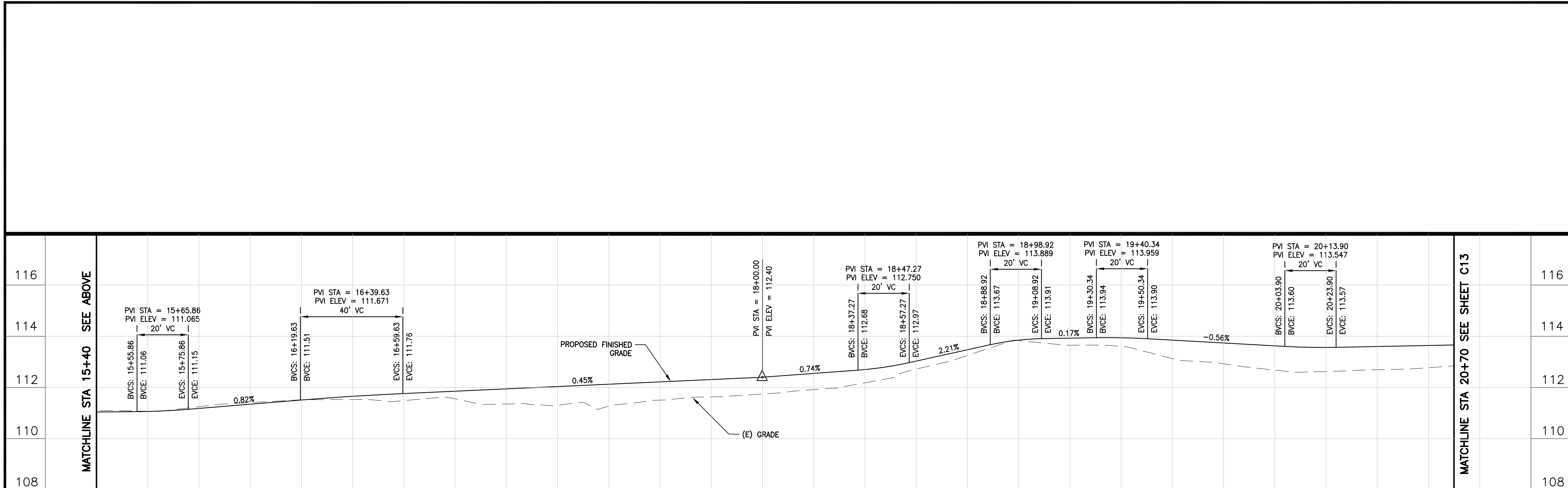


[AutoCAD file name: H:\2023\23-0113-42_Robert Park_Sidewalk & Creek Path Replacement - DESIGN\CAD\Plans\19011320_Hinebaugh_East_Design.dwg]
 [User: jgibson Date: 11/16/2023 10:42:41 AM Plot: 11/16/2023 11:11am]

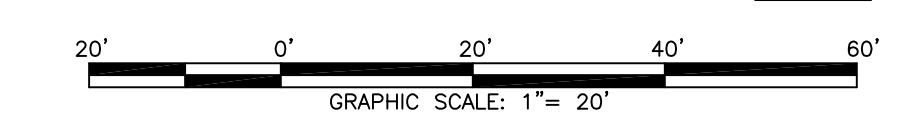


No	Date	REVISIONS

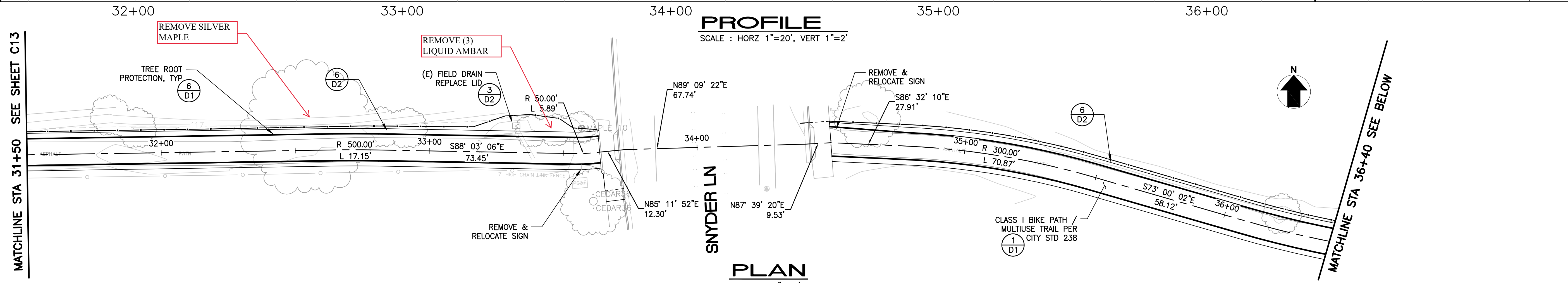


SIDEWALK AND CREEK PATH REPLACEMENTS
PROJECT No. 2017-22 PHASE III
 CITY OF ROBERT PARK, CALIFORNIA
HINEBAUGH CREEK EAST PLAN & PROFILE
 STA 10+00 TO STA 20+70

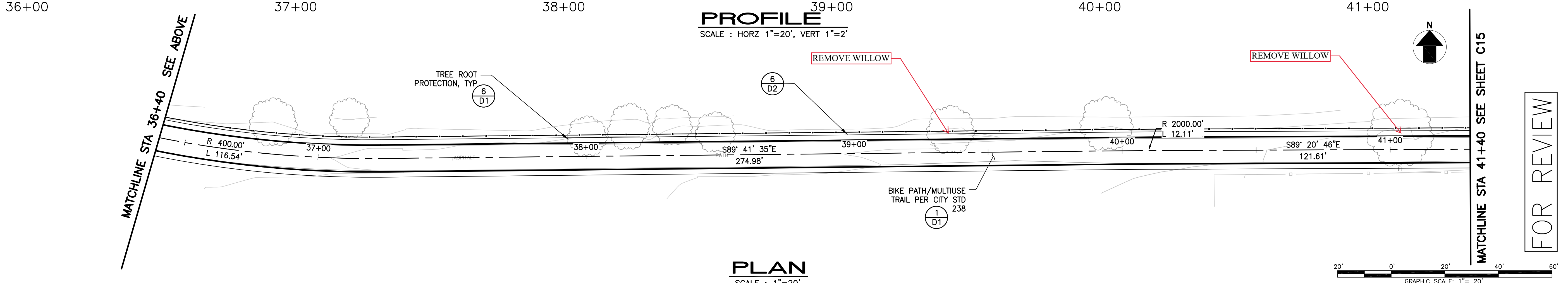
FOR REVIEW




122	MATCHLINE STA 31+50 SEE SHEET C13		122	Approved REVISIONS No Date
120			120	
118			118	
116			116	
114			114	



124	MATCHLINE STA 36+40 SEE ABOVE		124	Approved REVISIONS No Date
122			122	
120			120	
118			118	
116			116	





SIDWALK AND CREEK PATH REPLACEMENTS
 PROJECT No. 2017-22 PHASE III
 CITY OF ROBERT PARK, CALIFORNIA
 HINEBAUGH CREEK EAST PLAN & PROFILE
 STA 31+50 TO STA 41+40

FOR REVIEW

PAGE
6 OF 7

AutoCAD file name: H:\2023\23-0113-42 Robert Park - Sidewalk & Creek Path Replacement - DESIGN\CAD\Plans\18011320 Hinebaugh East Design.dwg
 Date: 11/15/23 10:24:14 AM
 User: JACOB

